

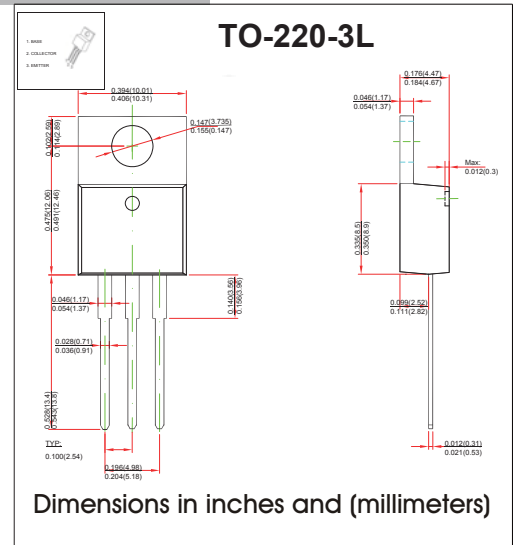
TO-220-3L Plastic-Encapsulate Transistors

FEATURES

- High DC Current Gain : $h_{FE}=1000$ @ $V_{CE}=4V$, $I_C=1A$ (Min.)
- Low Collector-Emitter Saturation Voltage
- Industrial Use
- TRANSISTOR (NPN)

MECHANICAL DATA

- Case style: TO-220-3L molded plastic
- Mounting position: any



MAXIMUM RATINGS AND CHARACTERISTICS

@ 25°C Ambient Temperature (unless otherwise noted)

Symbol	Parameter	Value	Unit
V_{CBO}	Collector-Base Voltage	60	V
V_{CEO}	Collector-Emitter Voltage	60	V
V_{EBO}	Emitter-Base Voltage	5	V
I_C	Collector Current -Continuous	2	A
P_C	Collector Power Dissipation	2	W
T_J	Junction Temperature	150	°C
T_{stg}	Storage Temperature	-55 to +150	°C

PACKAGE INFORMATION

Device	Package	Shipping
TIP110	TO-220-3L	50/Tape&Reel

Parameter	Symbol	Test conditions	Min	Typ	Max	Unit
Collector-base breakdown voltage	$V_{(BR)CBO}$	$I_C=10mA, I_E=0$	60			V
Collector-emitter sustaining voltage	$V_{CEO}^{(sus)}$	$I_C=30mA, I_B=0$	60			V
Emitter-base breakdown voltage	$V_{(BR)EBO}$	$I_E=10mA, I_C=0$	5			V
Collector cut-off current	I_{CEO}	$V_{CE}=30V, I_B=0$			2	mA
Collector cut-off current	I_{CBO}	$V_{CB}=60V, I_E=0$			1	mA
Emitter cut-off current	I_{EBO}	$V_{EB}=5V, I_C=0$			2	mA
DC current gain	$h_{FE(1)}$	$V_{CE}=4V, I_C=1A$	1000			
	$h_{FE(2)}$	$V_{CE}=4V, I_C=2A$	500			
Collector-emitter saturation voltage	$V_{CE(sat)}$	$I_C=2A, I_B=8mA$			2.5	V
Base-emitter voltage	V_{BE}	$V_{CE}=4V, I_C=2A$			2.8	V
Collector output capacitance	C_{ob}	$V_{CB}=10V, I_E=0, f=0.1MHz$			100	pF